

2.00mm Pin Header DIP Type

SPECIFICATION

Current Rating :2.0AMP
 Insulation Resistance :1000M Ω MIN.
 Contact Resistance :20m Ω MAX.
 Withstanding voltage : AC 500V MIN.
 Operating Temperature :-40 °C to +105°C

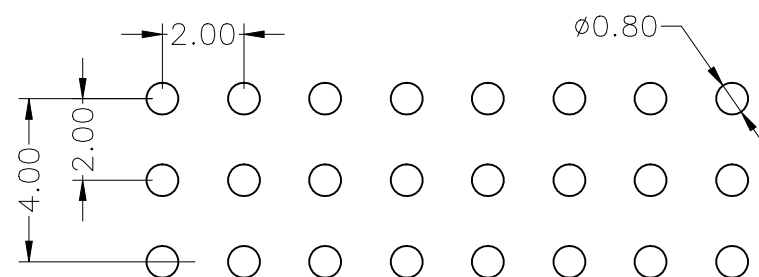
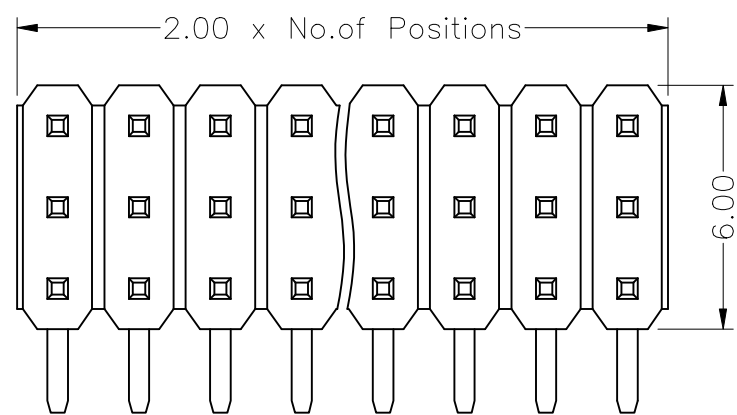
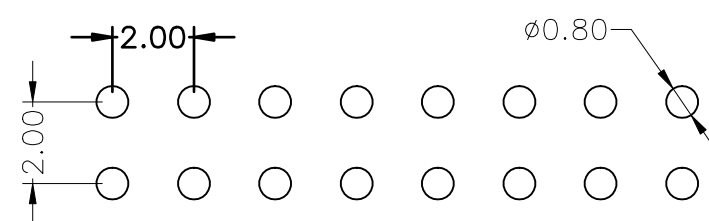
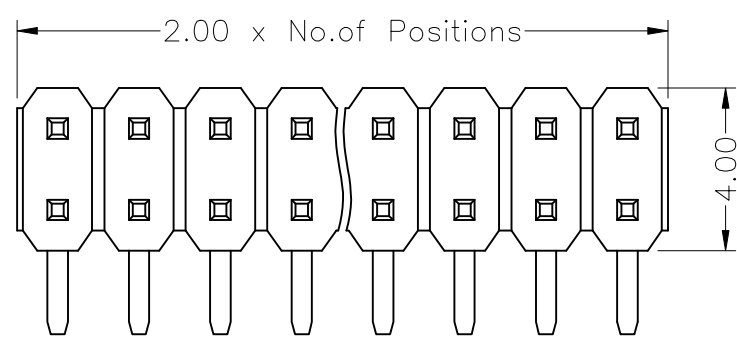
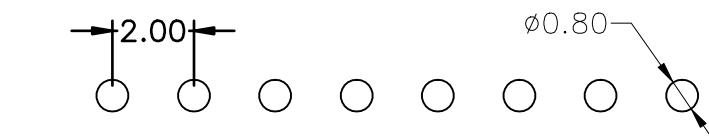
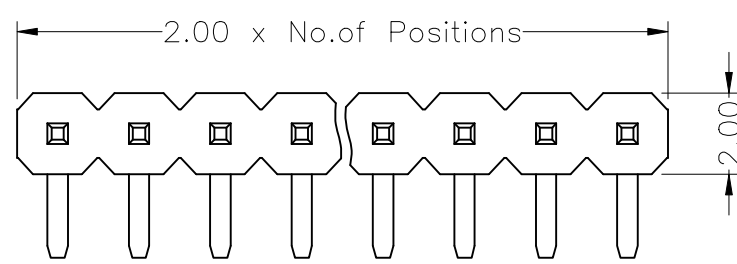
Contact Material :Brass
 Contact Plating :Gold or Tin over Nickel
 Insulation Material :PA9T+30%G.F UL94V-0
 Color :Black

AME20 X
 Row Type:
 5=Single Row Dual Housing
 6=Double Row Dual Housing
 7=Triplex Row Dual Housing

R - XXX - XX XX
 Specify LEAD STYLE from chart.
 No.of Pins Per Row: 02 thru 40

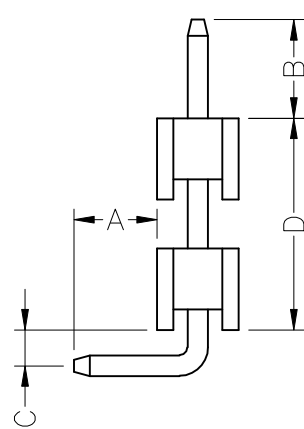
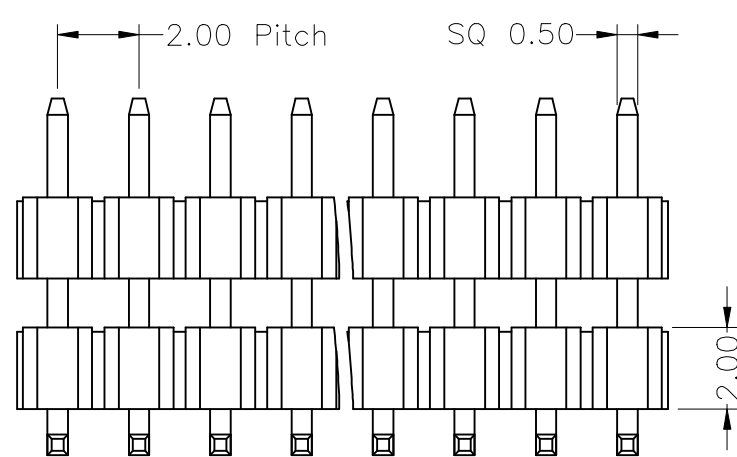
Contact Plating:
 G1=Full gold flash G3=Full gold 3u"
 G5=Full gold 5u" G6=Full gold 10u"
 G7=Full gold 15u" G8=Full gold 30u"
 K1=Gold flash on contact, Tin 100u" on tail
 K5=Gold 5u" on contact, Tin 100u" on tail
 K6=Gold 15u" on contact, Tin 100u" on tail
 K8=Gold 30u" on contact, Tin 100u" on tail
 S1=Full Tin 100u"

X X
 Insulation Material:
 B=PBT
 D=LCP
 F=PA9T
 H=PA6T
 Packing:
 Y=Tray
 T=Tube
 P=PE Bag

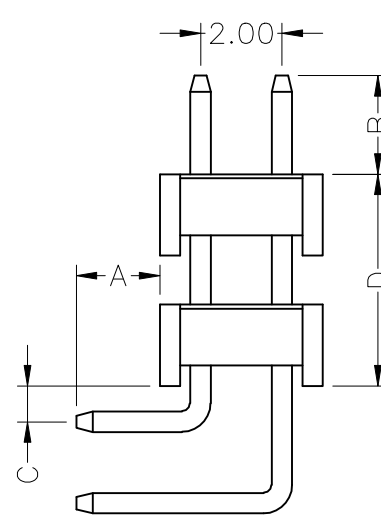


LEAD STYLE	Dim A	Dim B	Dim C	Dim D
001	2.80	3.00	0.80	5.00
002	2.80	4.00	0.80	5.00
003	2.80	6.00	0.80	5.00
...

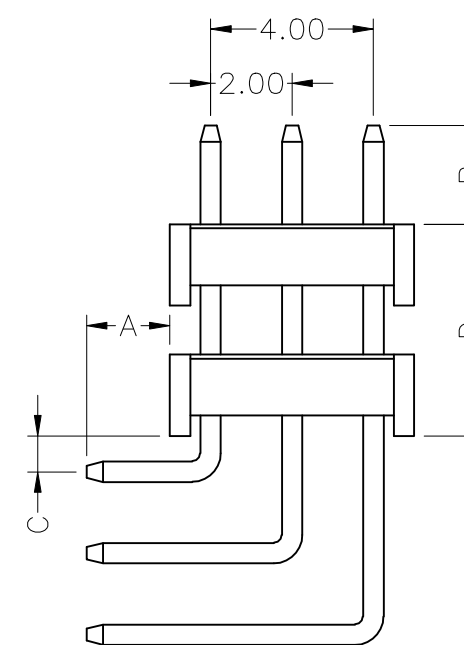
Recommended P.C.B. Layout



AME205R



AME206R



AME207R