

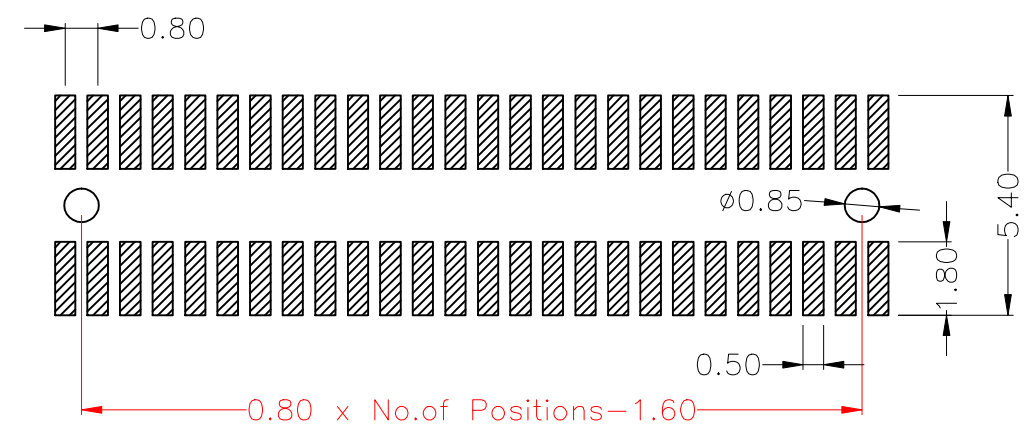
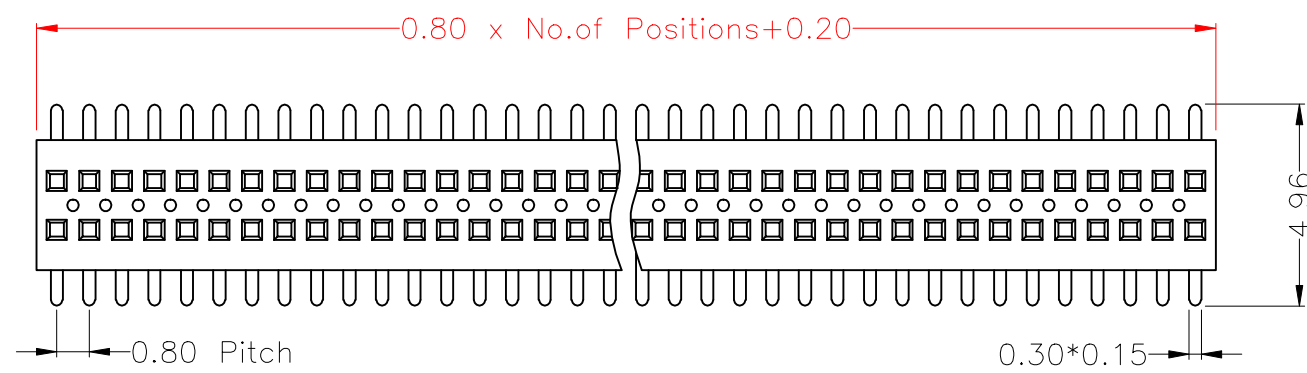
0.80mm Female Header SMT Type

SPECIFICATION

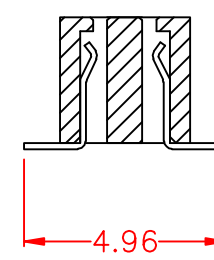
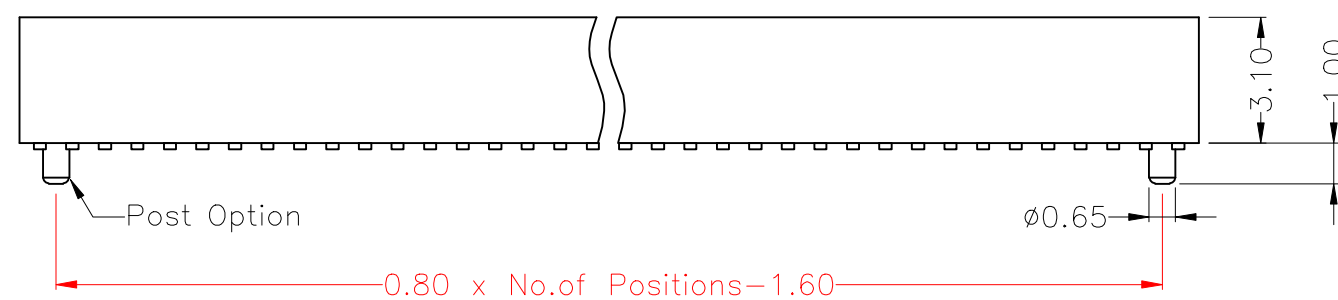
Current Rating :0.75AMP
 Insulation Resistance :1000M Ω MIN.
 Contact Resistance :20m Ω MAX.
 Withstanding voltage : AC 500V MIN.
 Operating Temperature :-40°C to +105°C

Contact Material :Phosphor Bronze
 Contact Plating :Gold or Tin over Nickel
 Insulation Material :PA9T+30%G.F UL94V-0
 Color :Black

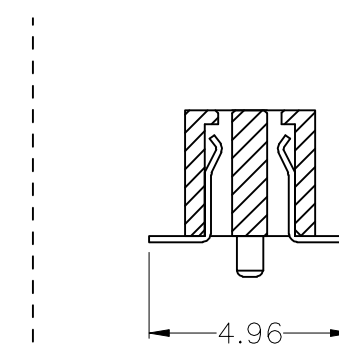
AFA312T - **X01** - **XX** **XX** **X** **X**
 Post Option:
 0=Without Post
 1=With Post
 No.of Pins
 Per Row:
 02 thru 40
Contact Plating:
 G1=Full gold flash G3=Full gold 3u"
 G5=Full gold 5u" G6=Full gold 10u"
 G7=Full gold 15u" G8=Full gold 30u"
 K1=Gold flash on contact, Tin 100u" on tail
 K5=Gold 5u" on contact, Tin 100u" on tail
 K6=Gold 15u" on contact, Tin 100u" on tail
 K8=Gold 30u" on contact, Tin 100u" on tail
 S1=Full Tin 100u"
Insulation Material:
 D=LCP
 F=PA9T
 H=PA6T
Packing:
 Y=Tray
 T=Tube
 P=PE Bag
 C=Tape Reel+Cap



Recommended P.C.B. Layout



AFA312T-001



AFA312T-101